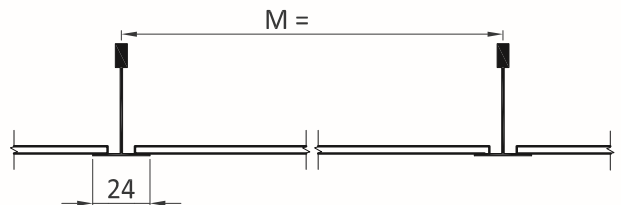
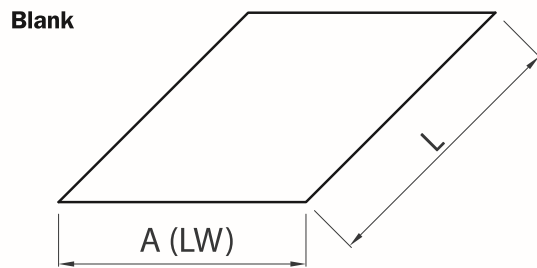
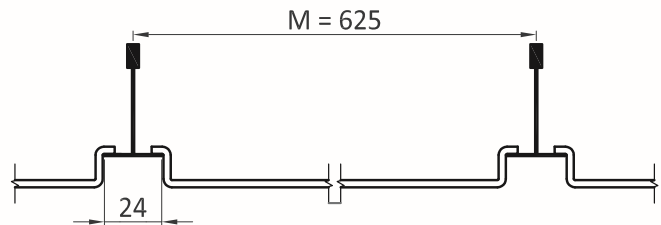
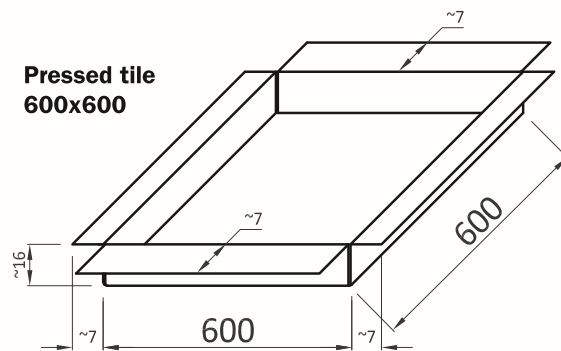
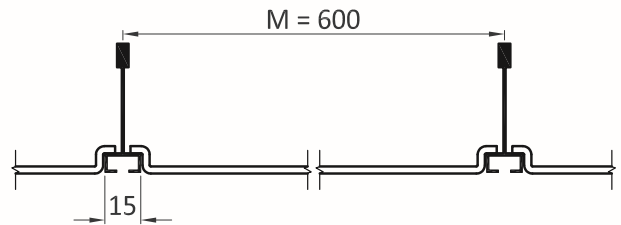
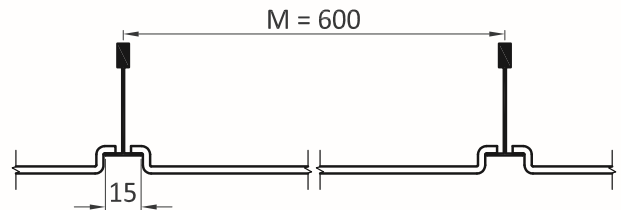
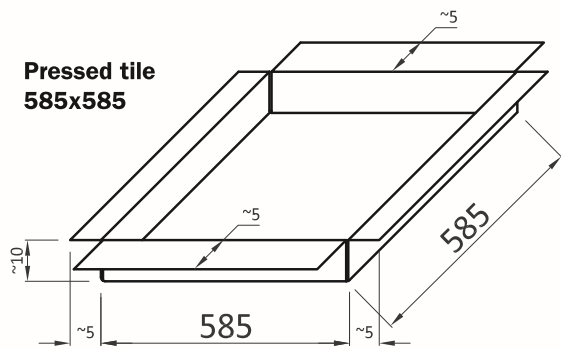
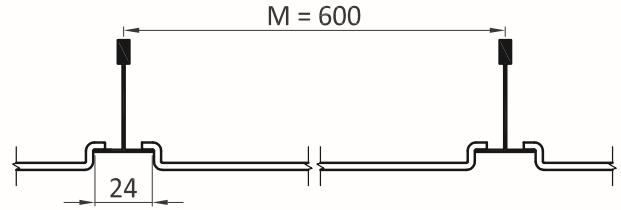
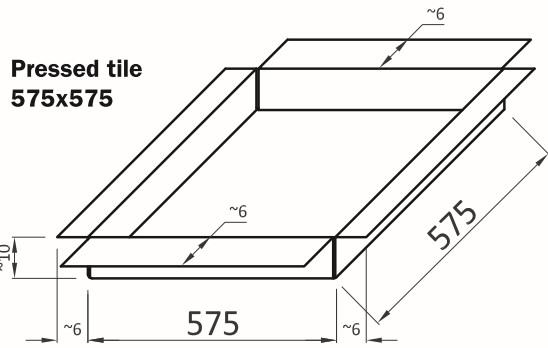


Lay-in types. Lay in tiles with T-profile mounting grid in view



Blanks can be made to measure to sit directly on the mounting grid (with no folded edges).

M = Distance between centres of mounting grid
Dimensions in millimetres (mm)